

RRR Products & Tools Overview

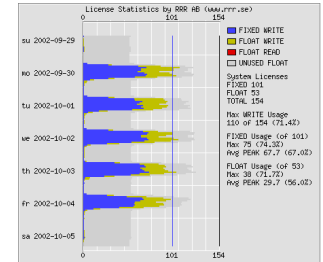


Misi Mladoniczy
miz@rrr.se



Commercial Products

- RRR|License
 - Optimize your licenses and save money
- RRR|Log
 - Optimize your performance
 - Troubleshoot your workflow
- RRR|Translator
 - Manage and automate your language translations
 - Translation memory



中國婦女計劃



RRR | DefFieldDiff (free)

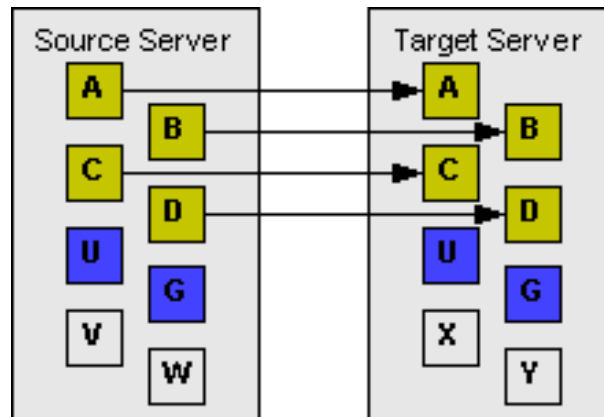
- Find data differences between development, test and production
- Plan your upgrades in advance

	A	B	C	D	E	F	G	H
1	Form	FieldID	Datatype	Name	Length	Comment	SourceEnv	TargetEnv
2	HD	600036025	CHAR	IS Ansv Inköpare	16	Sort Ascending		
3	HD	600036026	CHAR	IS Ansv Inköpare Namn	64	Sort Descending		
4	HD	600036027	TIME	IS Sista rörelse				
5	HD Historik	536870944	ENUM => CHAR	Radera Ärendet => Direktf1	=> 32	(All)	Ja/Nej	Yes/No
6	HD Historik	536870944	ENUM => CHAR	Radera Ärendet => Direktf1	=> 32	(Top 10...)	Ja/Nej	Yes/No
7	HD Historik	536870944	ENUM => CHAR	Radera Ärendet => Direktf1	=> 32	(Custom...)	Ja/Nej	Yes/No
8	HD Historik	536870944	ENUM => CHAR	Radera Ärendet => Direktf1	=> 32	Field data length differ!	Ja/Nej	Yes/No
9	HD Historik	536870945	CHAR	Orsak till radering => Avskr1	128 => 32	Field data types differ!	Ja/Nej	Yes/No
10	HD Historik	536870945	CHAR	Orsak till radering => Avskr1	128 => 32	Field does not exist in target def!		
11	HD Historik	536870947	TIME => CHAR	Raderad => Produkt1	=> 32	Field names differ!		
12	HD Historik	536870947	TIME => CHAR	Raderad => Produkt1	=> 32	Field selection values differ!		
13	HD Historik	536870947	TIME => CHAR	Raderad => Produkt1	=> 32	Form does not exist in target def!		
14	HD Historik	536870948	=> CHAR	=> Produkt4	=> 32	Form has been renamed!		
15	HD Historik	536870977	=> ENUM	=> Radera Ärendet		New field in target def!		Ja/Nej
16	HD Historik	536870949	=> CHAR	=> Produkt2	=> 32	New form in target def!		
17	HD Historik	536870950	CHAR	Container2 => Produkt3	16 => 32	Field names differ!		
18	HD Historik	536870950	CHAR	Container2 => Produkt3	16 => 32	Field data length differ!		
19	HD Historik	536870951	=> CHAR	=> Produkt5	=> 32	New field in target def!		



RRR|Chive (free)

- Fast and robust data migration between servers
- Incremental data synchronization between development, test and production
- Minimize downtime on platform changes and server replacements



Web Based Configurator at RRR|Online



RRR|DefHideExpandBox (free)

Get rid of the annoying expand box

1. Before upgrade to 7.x

Submitter	Last Modified By	Assigned To
<input type="text"/>	<input type="text"/>	<input type="text"/>



2. After upgrade to 7.x

Submitter	Last Modified By	Assigned To
<input type="text"/>	<input type="text"/>	<input type="text"/>



3. After processing your view definitions with
RRR|DefHideExpandBox

Submitter	Last Modified By	Assigned To
<input type="text"/>	<input type="text"/>	<input type="text"/>

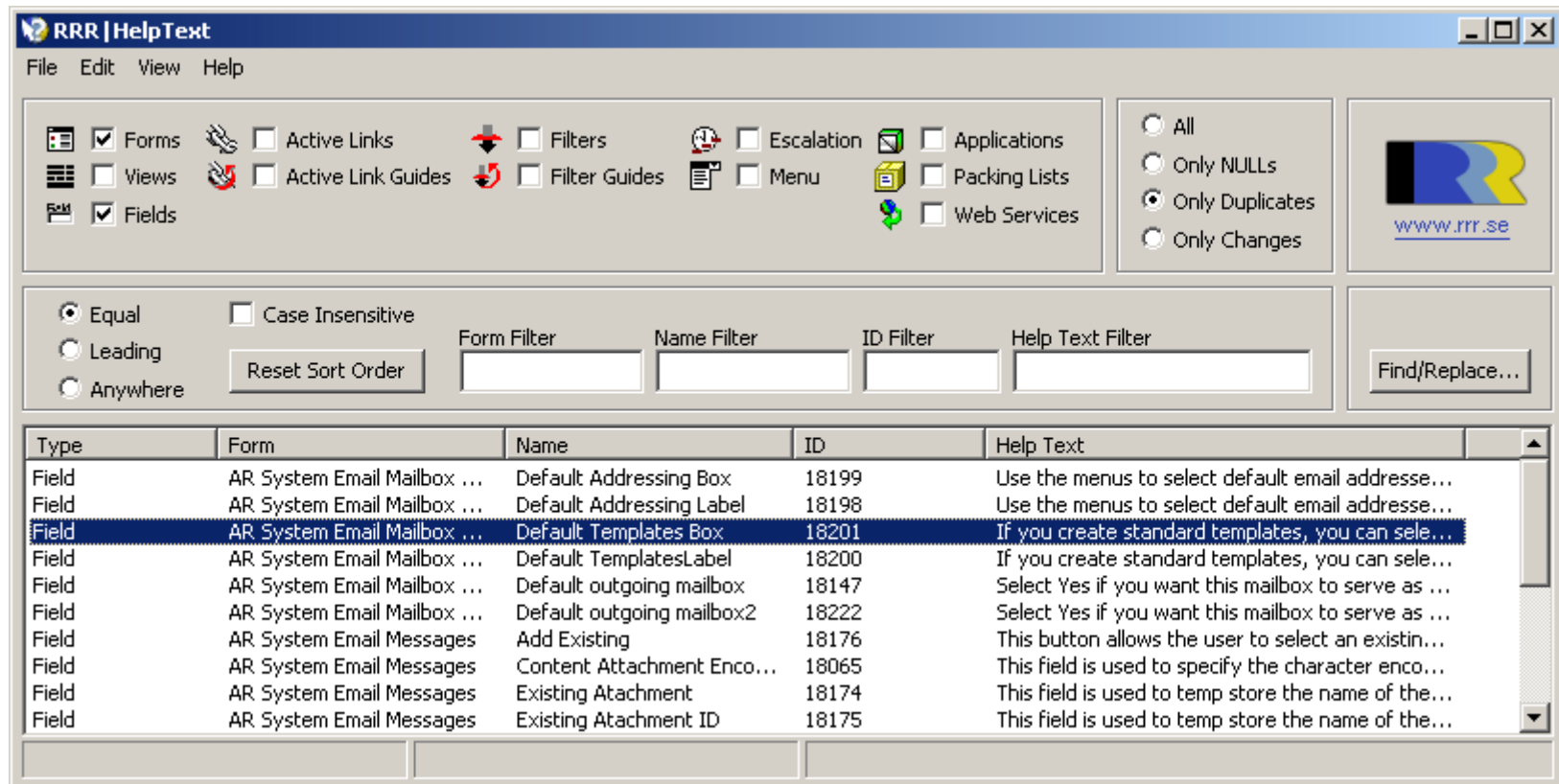


Download from category [RRR|Commands](#)



RRR | HelpText (free)

Get you Help Texts up to date!!!



The screenshot shows the RRR | HelpText application window. The title bar reads "RRR | HelpText". The menu bar includes "File", "Edit", "View", and "Help". The main interface is divided into several sections:

- Toolbars:** A top toolbar with icons for Forms, Views, Fields, Active Links, Active Link Guides, Filters, Filter Guides, Escalation, Menu, Applications, Packing Lists, and Web Services. A secondary toolbar on the right has radio buttons for "All", "Only NULLs", "Only Duplicates", and "Only Changes".
- Search and Filter Section:** Includes radio buttons for "Equal", "Leading", and "Anywhere"; a "Case Insensitive" checkbox; a "Reset Sort Order" button; and four text input fields for "Form Filter", "Name Filter", "ID Filter", and "Help Text Filter". A "Find/Replace..." button is also present.
- Data Table:** A table with columns: Type, Form, Name, ID, and Help Text. The table contains 11 rows of data, with the third row highlighted.

Type	Form	Name	ID	Help Text
Field	AR System Email Mailbox ...	Default Addressing Box	18199	Use the menus to select default email addresse...
Field	AR System Email Mailbox ...	Default Addressing Label	18198	Use the menus to select default email addresse...
Field	AR System Email Mailbox ...	Default Templates Box	18201	If you create standard templates, you can sele...
Field	AR System Email Mailbox ...	Default TemplatesLabel	18200	If you create standard templates, you can sele...
Field	AR System Email Mailbox ...	Default outgoing mailbox	18147	Select Yes if you want this mailbox to serve as ...
Field	AR System Email Mailbox ...	Default outgoing mailbox2	18222	Select Yes if you want this mailbox to serve as ...
Field	AR System Email Messages	Add Existing	18176	This button allows the user to select an existin...
Field	AR System Email Messages	Content Attachment Enco...	18065	This field is used to specify the character enco...
Field	AR System Email Messages	Existing Attachment	18174	This field is used to temp store the name of the...
Field	AR System Email Messages	Existing Attachment ID	18175	This field is used to temp store the name of the...



And much more at www.rrr.se





www.rrr.se

Shedding light on log file darkness since 2001